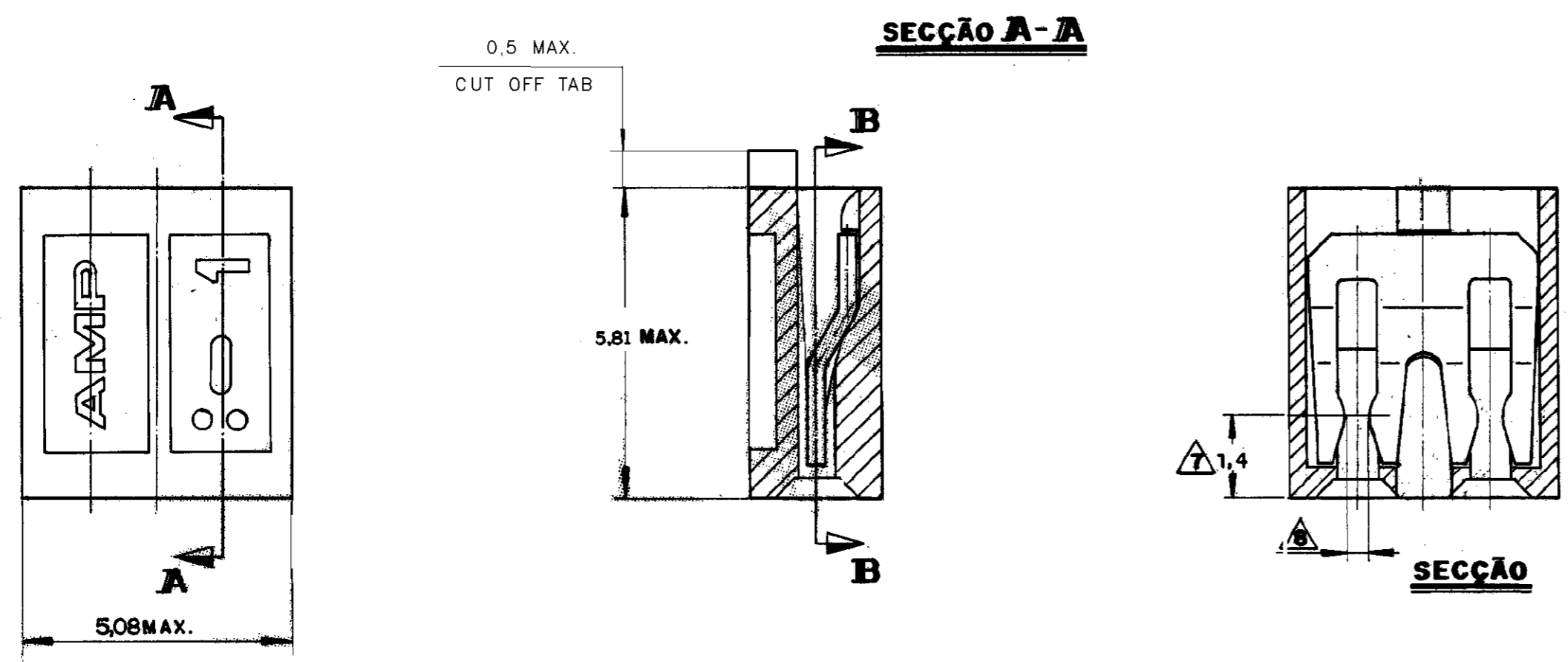


C 881545

DO NOT SCALE
DIMENSIONS IN mm.

METRIC

3rd ANGLE PROJECTION



OBSOLETE 13	6	2	8
	6	2	7
	4	2	6
	3	2	881545-5
OBSOLETE 13	6	1	8
	5	1	7
	4	1	6
	3	1	5
OBSOLETE 13	6	1	4
	5	1	3
	4	1	2
	3	1	881545-1

OTHER TREATMENT	FINISH	MATERIAL	PART NUMBER
CUSTOMER DWG for REFERENCE ONLY			
THIS DRAWING IS UNPUBLISHED RELEASED FOR PUBLICATION 19			
TOLERANCES UNLESS OTHERWISE STATED. DEC. ±0.5 ANGLES ±1°		INS. DIA. RANGE	WIRE RANGE
DR. <i>[Signature]</i> 11-09-88		STE TE Connectivity	
CHK. <i>[Signature]</i> 08-11-88		DESCRIPTION AMP SHUNT	
DE. <i>[Signature]</i>		DESCRIPTION LOW PROFILE CONNECTOR ASS'Y	
ISS. <i>[Signature]</i> 29/10/88		DWG NO. A2	REV. SHEET 2 OF 2
REVISION RECORD		DWG NO. C 881545	REV. SHEET K3 2 OF 2

SEE SHEET 1 OF 2